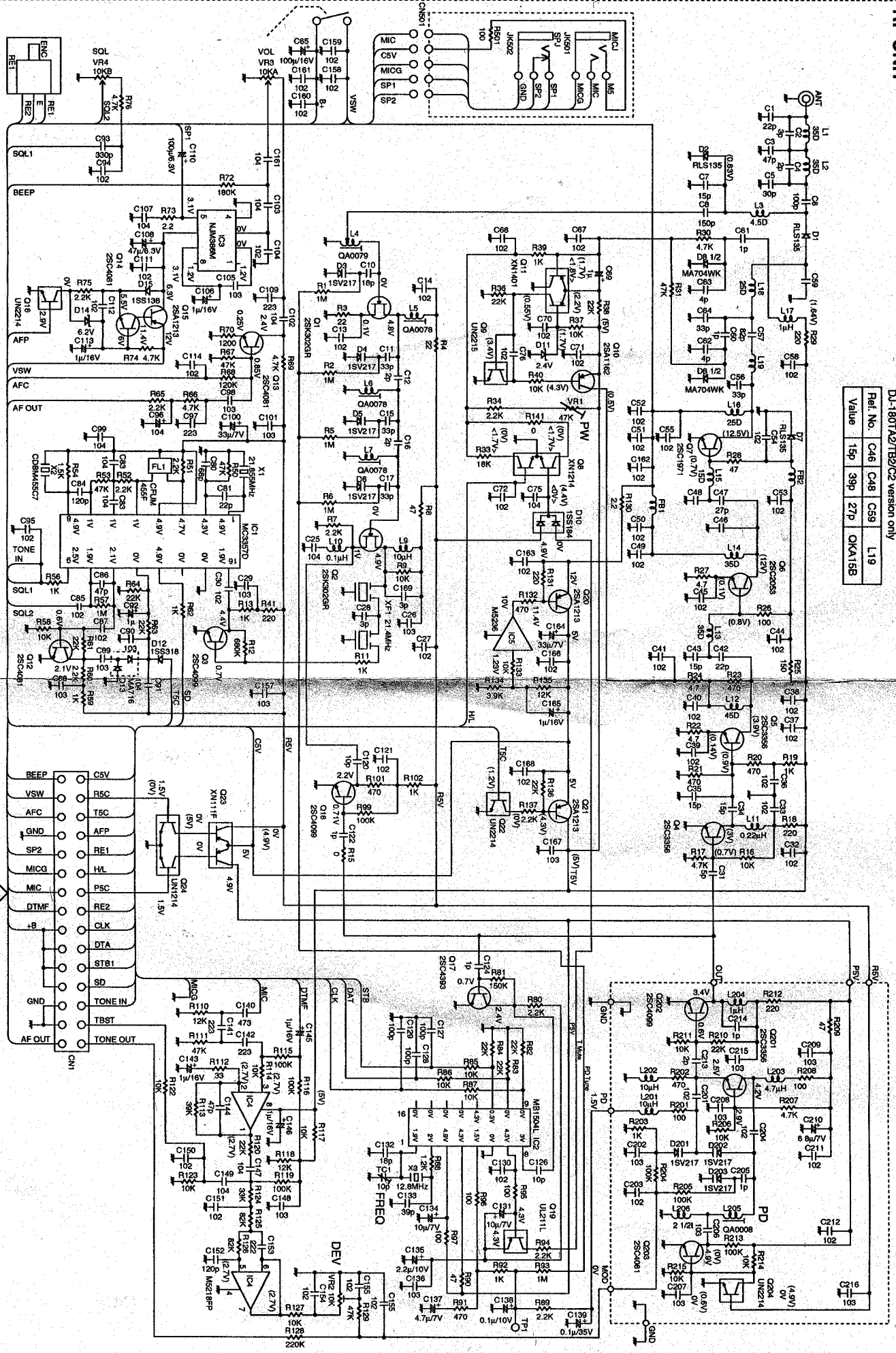


# SCHEMATIC DIAGRAM DJ-180

RF UNIT

DJ-180T A2/TB2/C2 version only

Ref. No.	C46	C48	C39	L19
Value	15p	39p	27p	OKK15B



Specifications are subject to change without notice or obligation.

