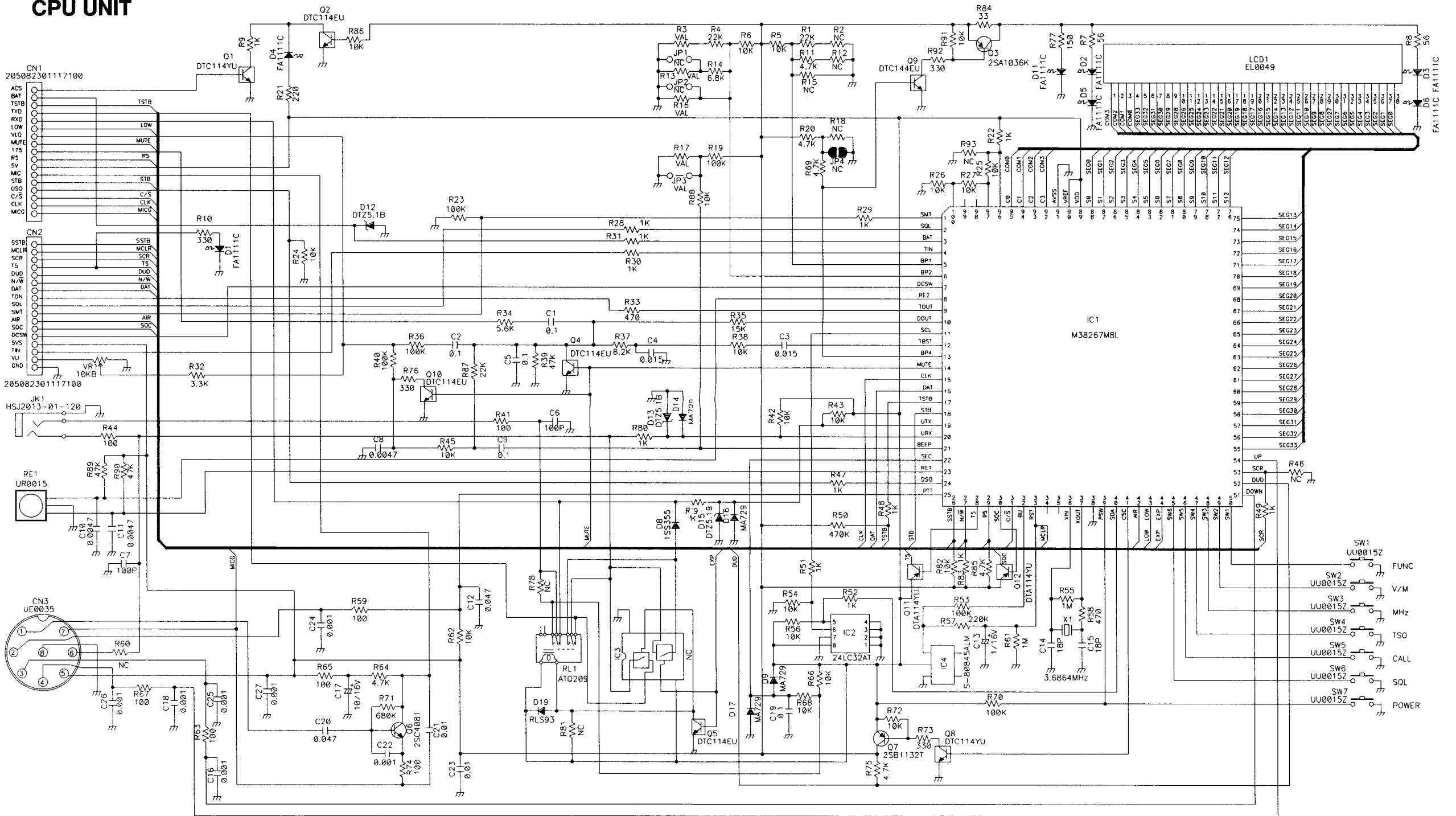


SCHEMATIC DIAGRAM DR-135T/E/TA

CPU UNIT



Specifications are subject to change without notice or obligation.

	R3	R13	R16	R17	JP3
T	NC	NC	0	NC	JUMPER
E	NC	0	NC	NC	JUMPER
TA	NC	NC	0	NC	NC

(PK0078)

MAIN UNIT

