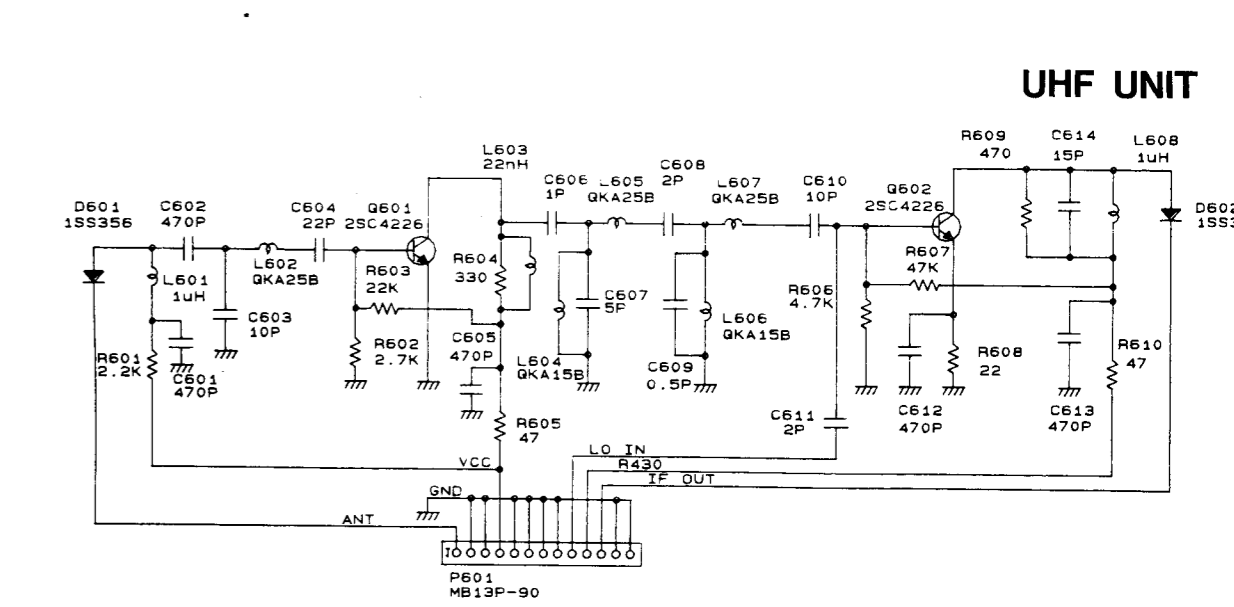
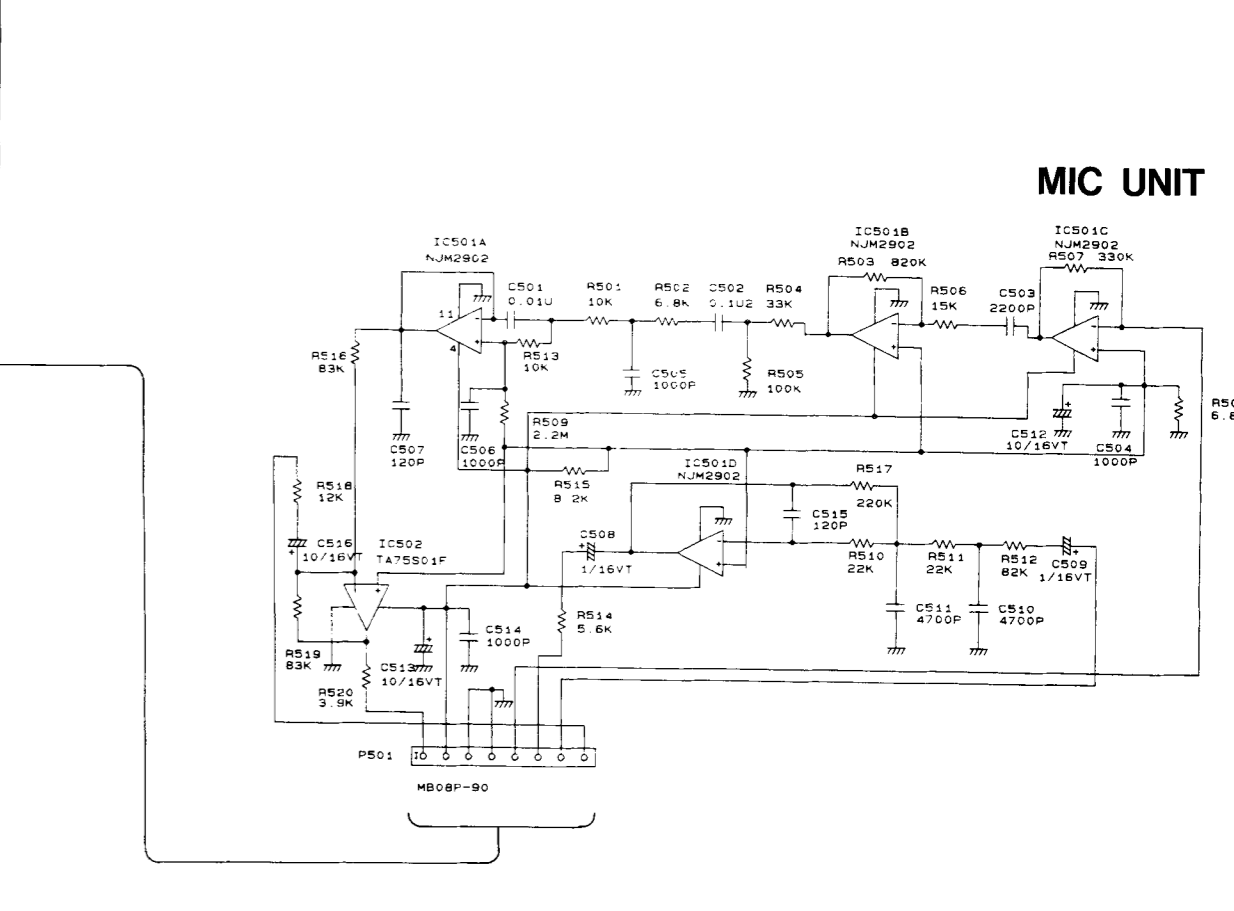
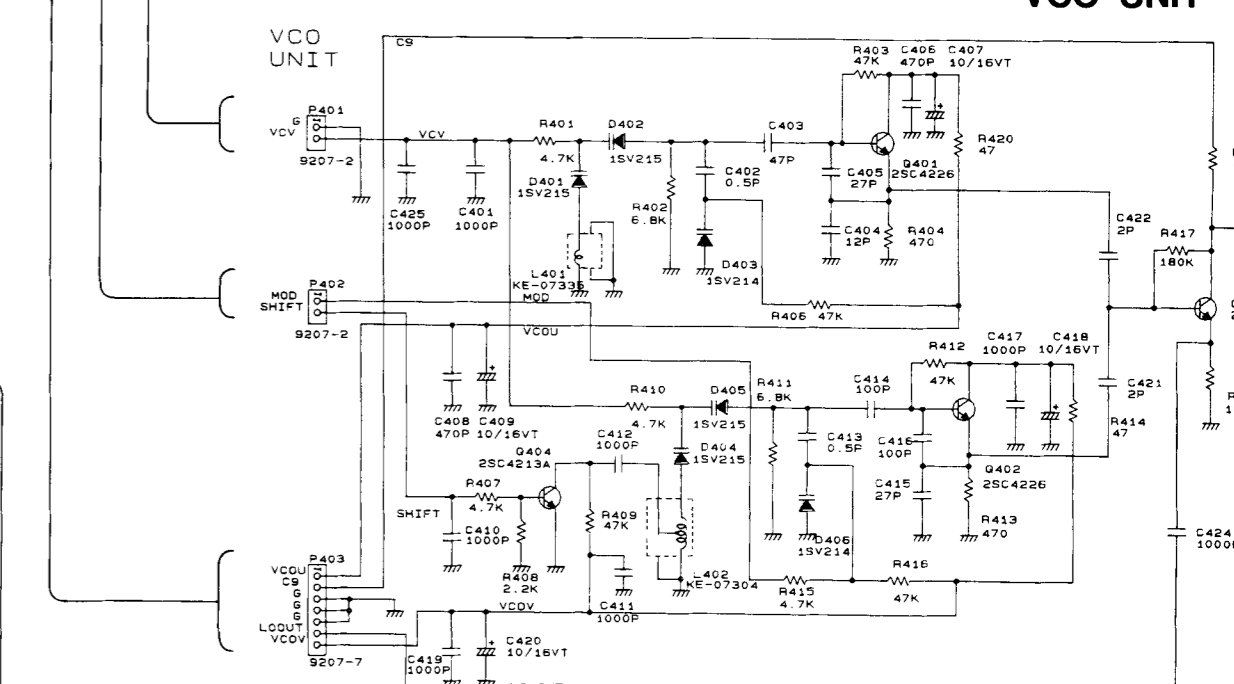
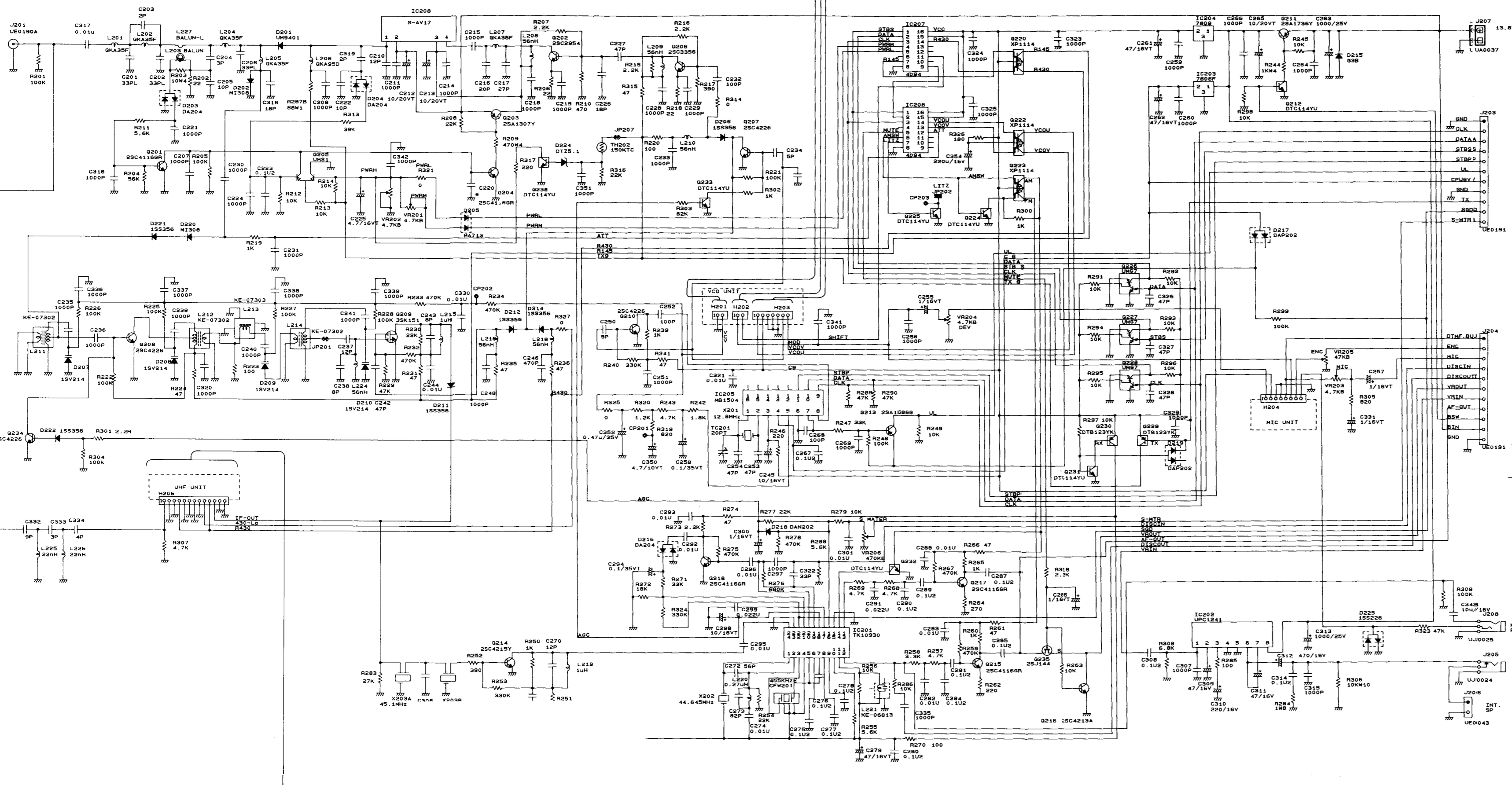


MAIN UNIT

VCO UNIT

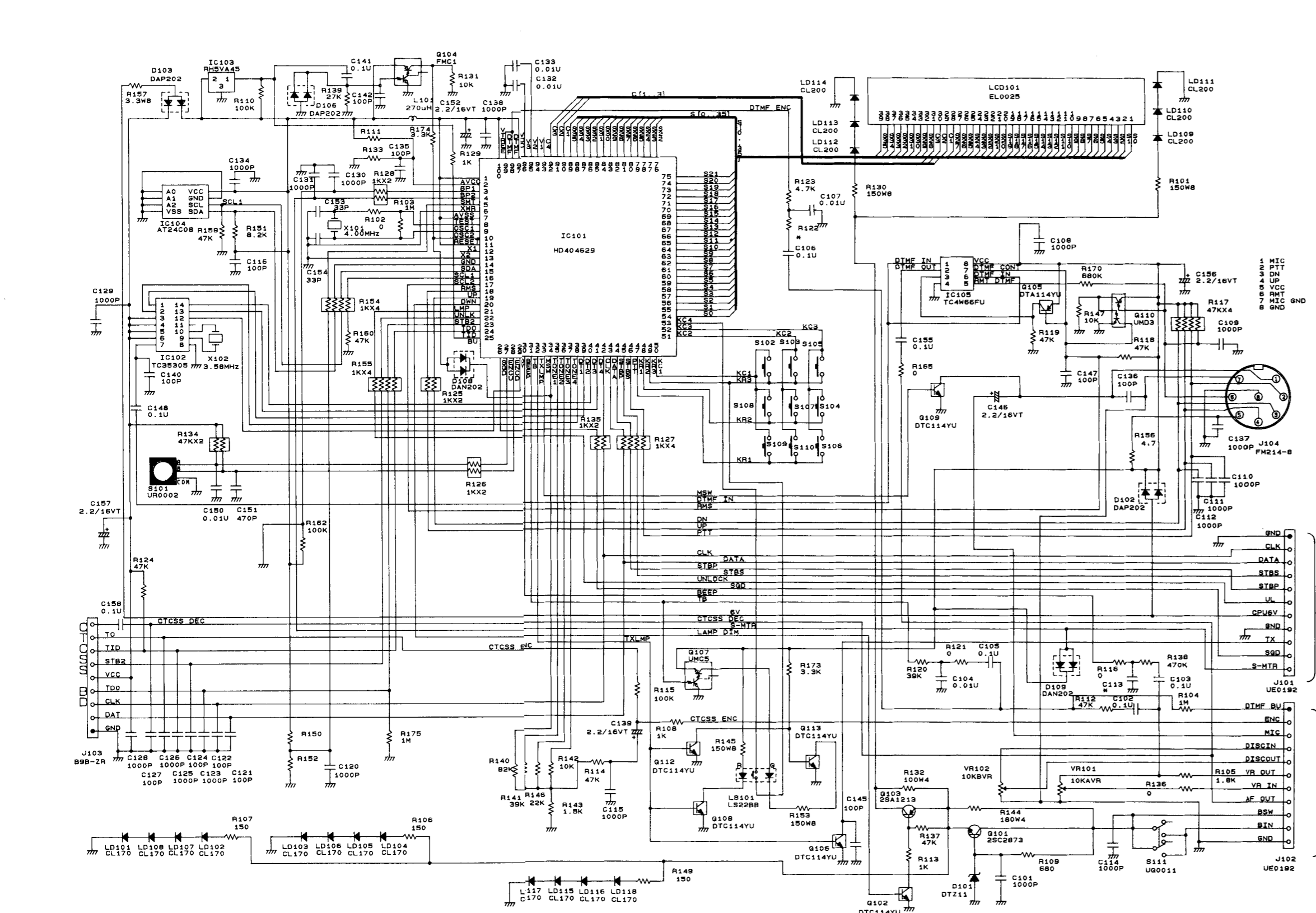
MIC UNIT

UHF UNIT



CPU UNIT

SCHEMATIC DIAGRAM DR-150TE



Specifications are subject to change without notice or obligation.