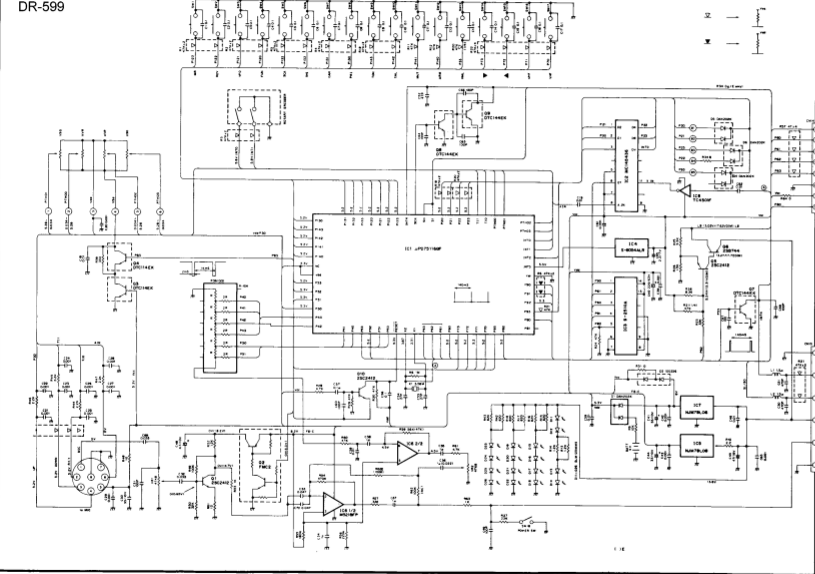
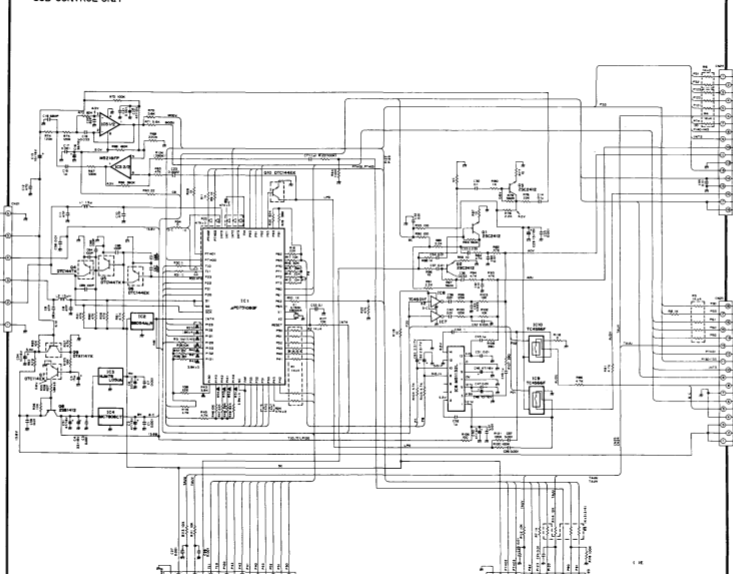


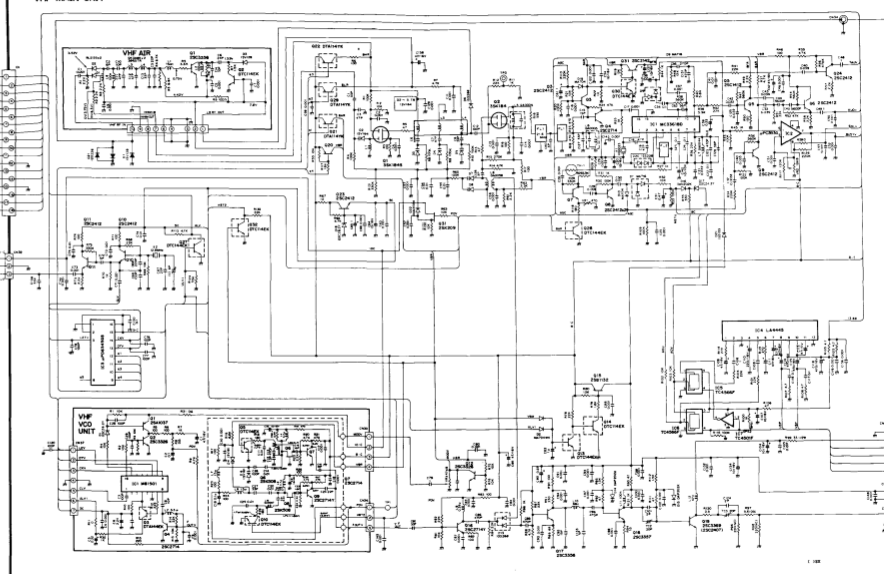
FRONT CONTROL UNIT
DR-599



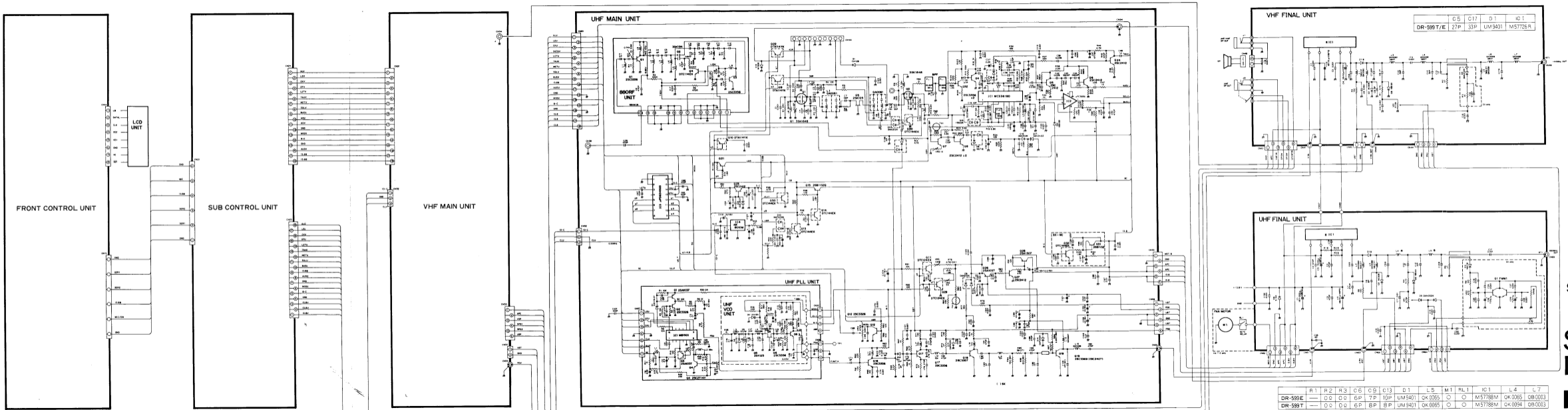
SUB CONTROL UNIT



VHF MAIN UNIT



VHF FINAL UNIT
VHF FINAL UNIT
VHF FINAL UNIT
VHF FINAL UNIT



C5	C17	D1	IC1	
DR-599 T/E	27P	33P	UM9401	M57726 R

R1	R2	R3	C6	C9	C13	D1	L5	M1	RL1	IC1	L4	L7
DR-599E	0.0	0.0	6P	7P	10P	UM9401	OK 0065	0	0	M57788M	OK 0065	OB.0003
DR-599T	0.0	0.0	6P	BP	8P	UM9401	OK 0065	0	0	M57788M	OK 0094	OB.0003

scan & edit
UN7GET
**SCHEMATIC
DIAGRAM**
DR-599T/E

Specifications are subject to change without notice or obligation.