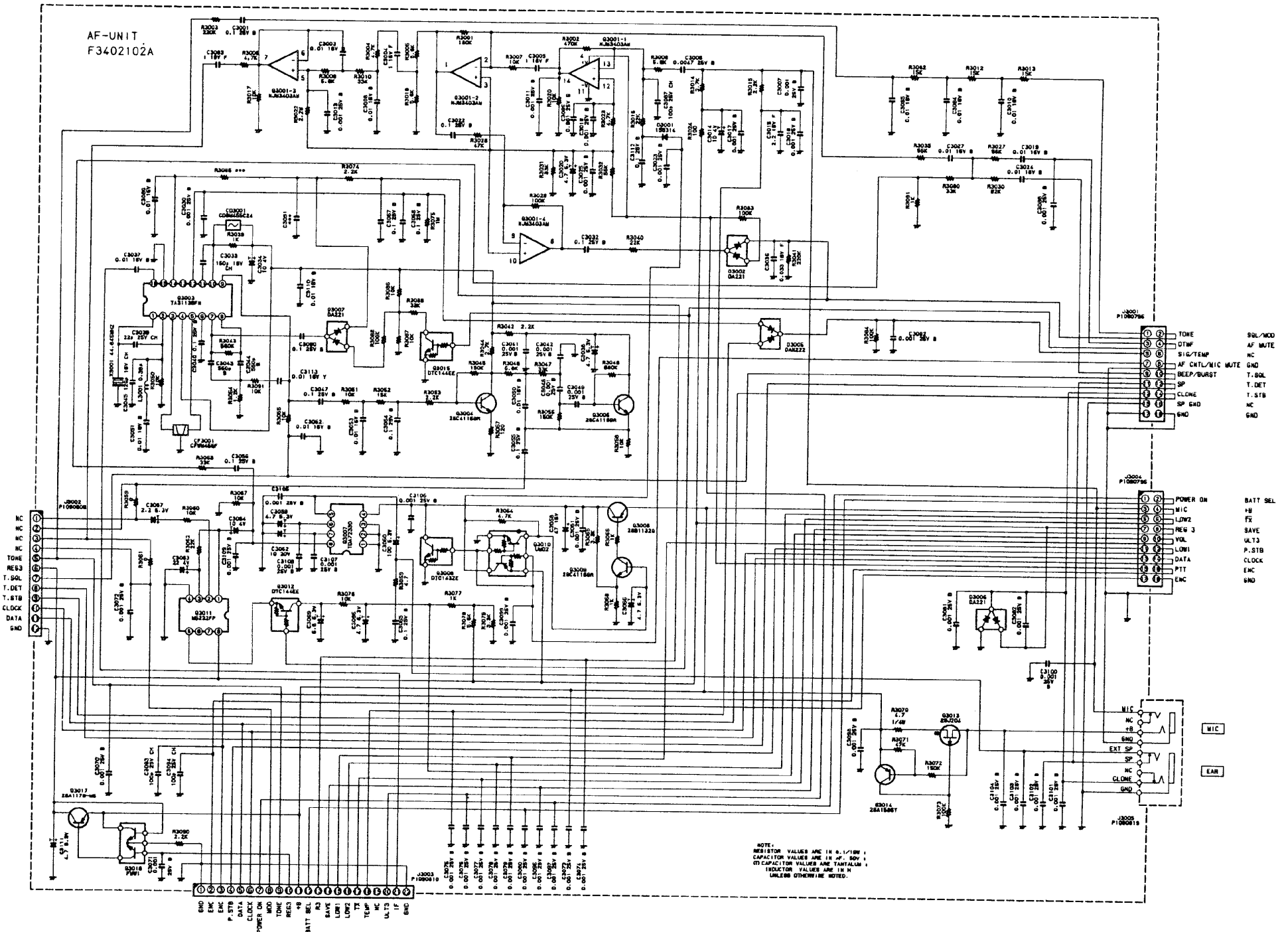


AF-UNIT
F3402102A

FTS-26 (OPTION)

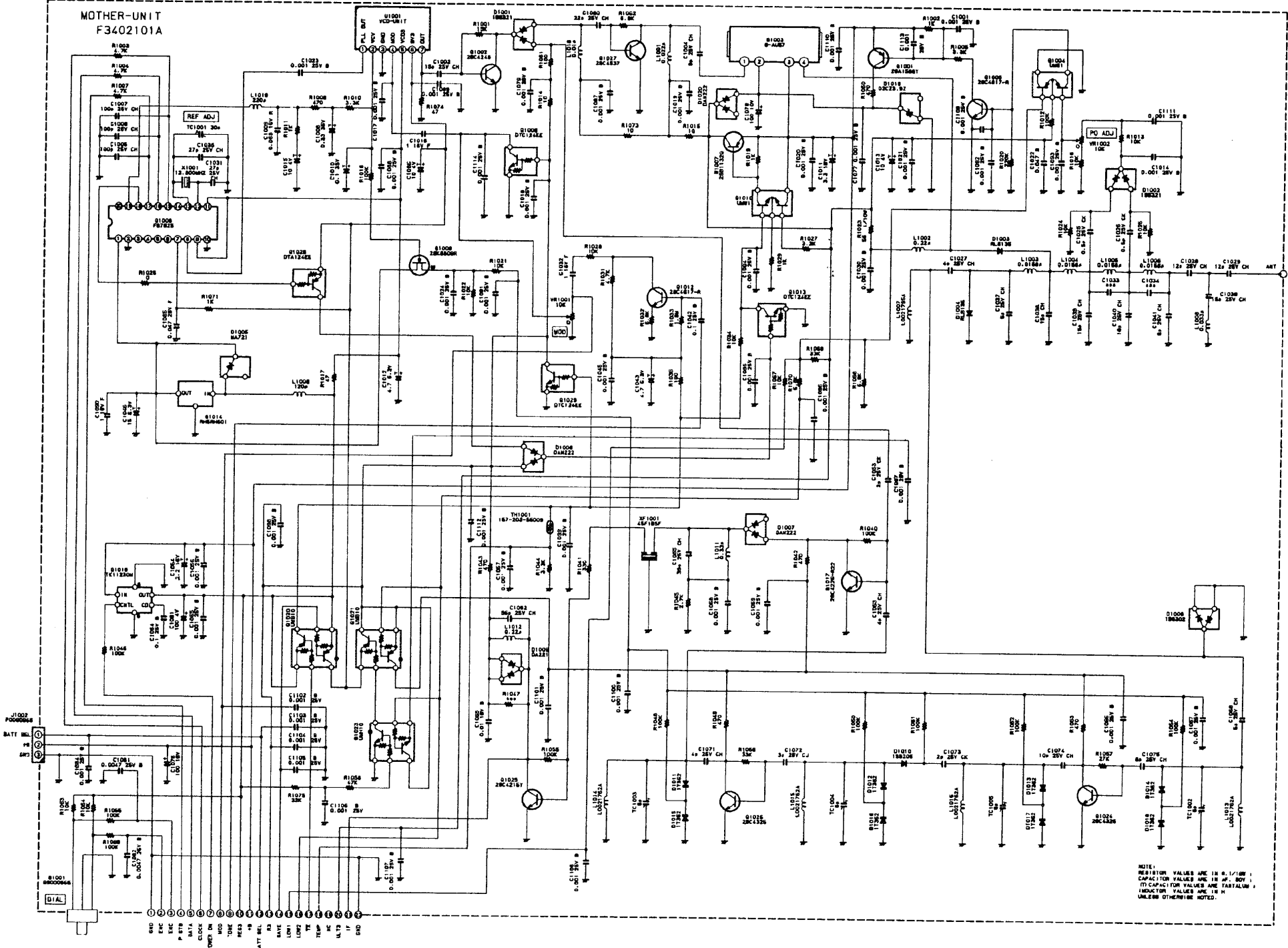


- | | | |
|---|------------------|---------|
| 1 | TONE | 99L/MOD |
| 2 | DTWF | AF MUTE |
| 3 | SIU/TEMP | NC |
| 4 | AF CRTL/MIC MUTE | NC |
| 5 | DEEP/BURST | T.99L |
| 6 | SP | T.DET |
| 7 | CLONE | T.STB |
| 8 | SP GND | NC |
| 9 | GND | GND |
-
- | | | |
|---|----------|----------|
| 1 | POWER ON | BATT SEL |
| 2 | MIC | +B |
| 3 | LOW2 | FB |
| 4 | REG 3 | SAVE |
| 5 | VOL | ULT3 |
| 6 | LOW1 | P.STB |
| 7 | DATA | CLOCK |
| 8 | PTT | ENC |
| 9 | ENC | GND |

NOTE:
RESISTOR VALUES ARE IN Ω, 1/10W;
CAPACITOR VALUES ARE IN μF, 50V;
(*) CAPACITOR VALUES ARE TANTALUM;
INDUCTOR VALUES ARE IN H
UNLESS OTHERWISE NOTED.

- | | |
|----|----------|
| 1 | GND |
| 2 | ENC |
| 3 | ENC |
| 4 | DATA |
| 5 | CLOCK |
| 6 | POWER ON |
| 7 | TONE |
| 8 | REC |
| 9 | MOD |
| 10 | BATT SEL |
| 11 | B3 |
| 12 | SAVE |
| 13 | LOW1 |
| 14 | LOW2 |
| 15 | TT |
| 16 | TEMP |
| 17 | NC |
| 18 | ULT3 |
| 19 | IF |
| 20 | GND |

MOTHER-UNIT
F3402101A



NOTE:
RESISTOR VALUES ARE IN OHMS UNLESS OTHERWISE NOTED.
CAPACITOR VALUES ARE IN P.F. UNLESS OTHERWISE NOTED.
INDUCTOR VALUES ARE IN HENRYS UNLESS OTHERWISE NOTED.