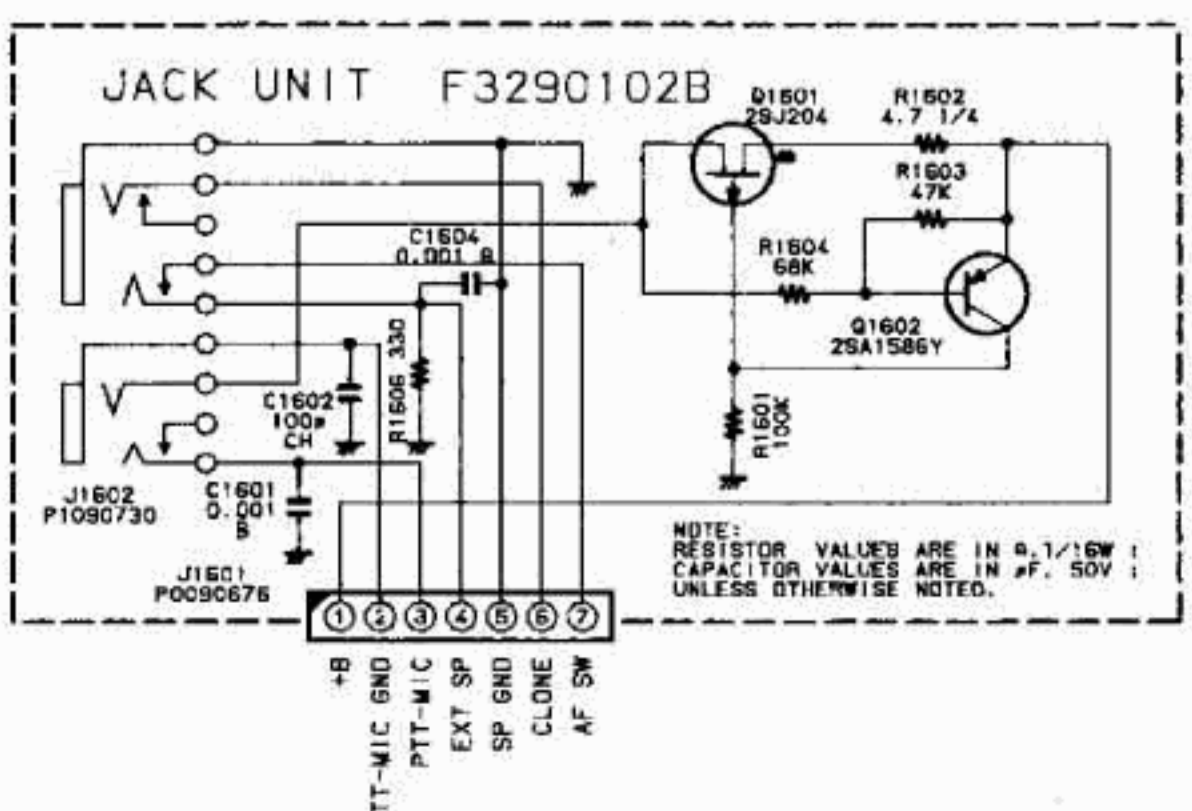
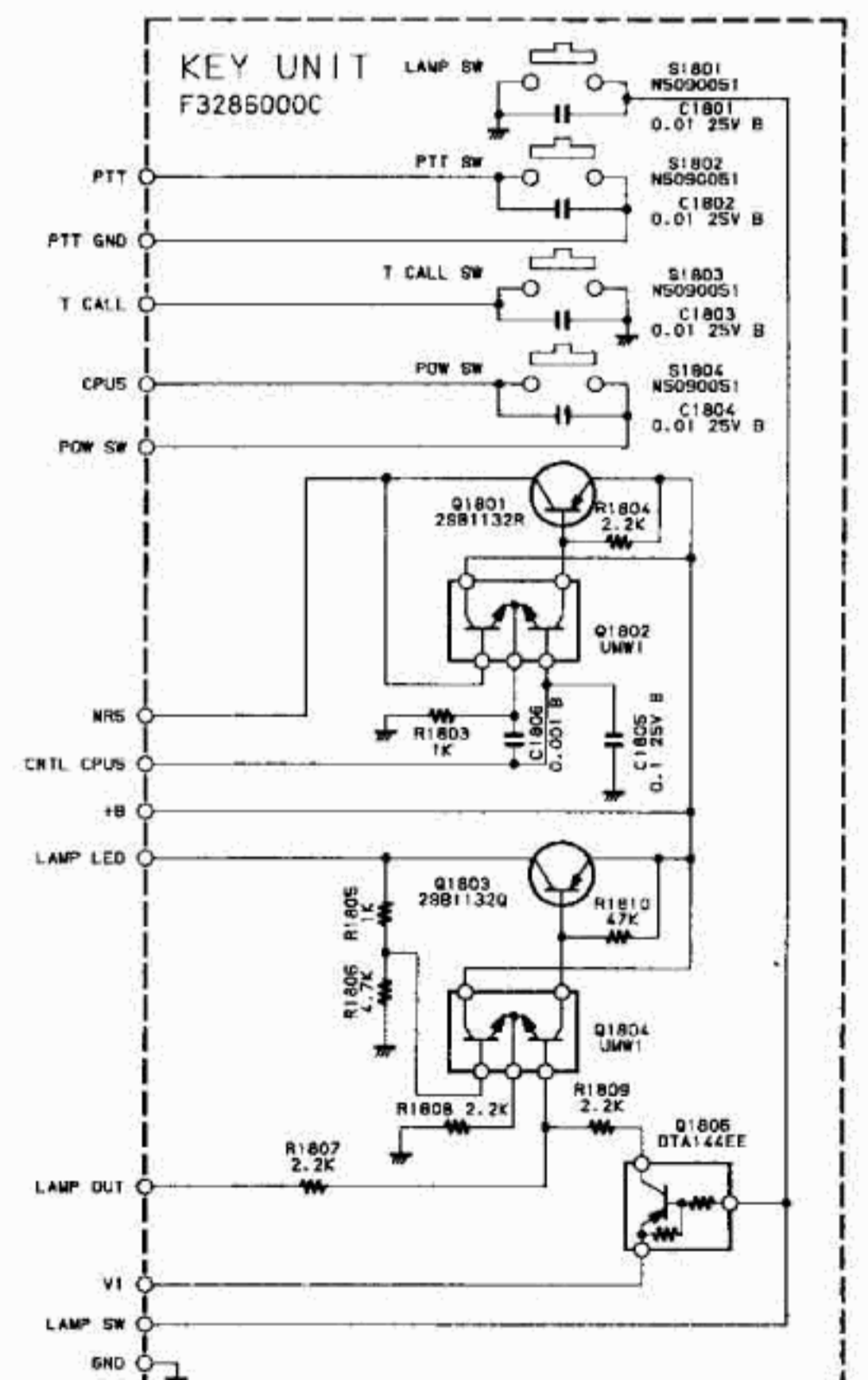
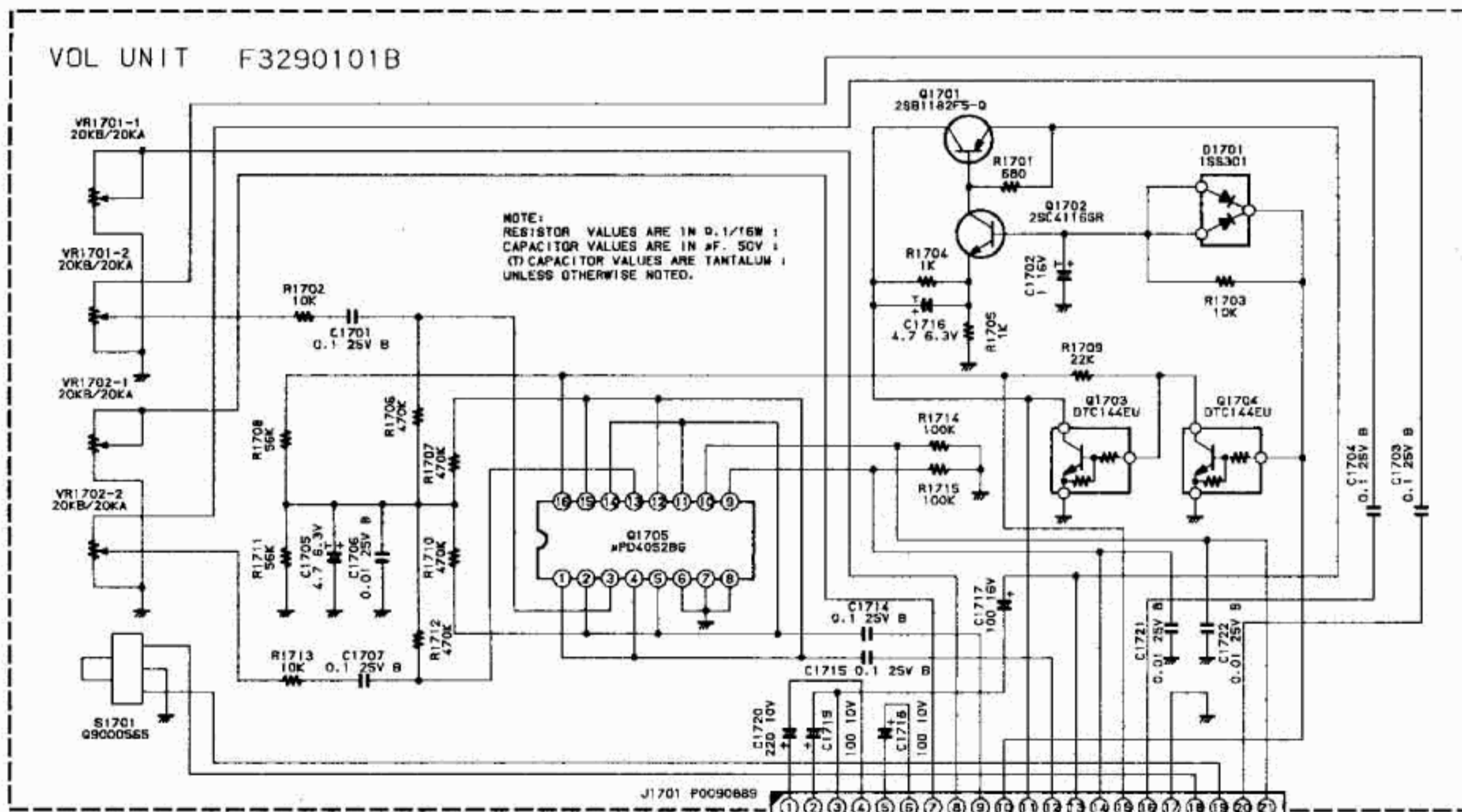
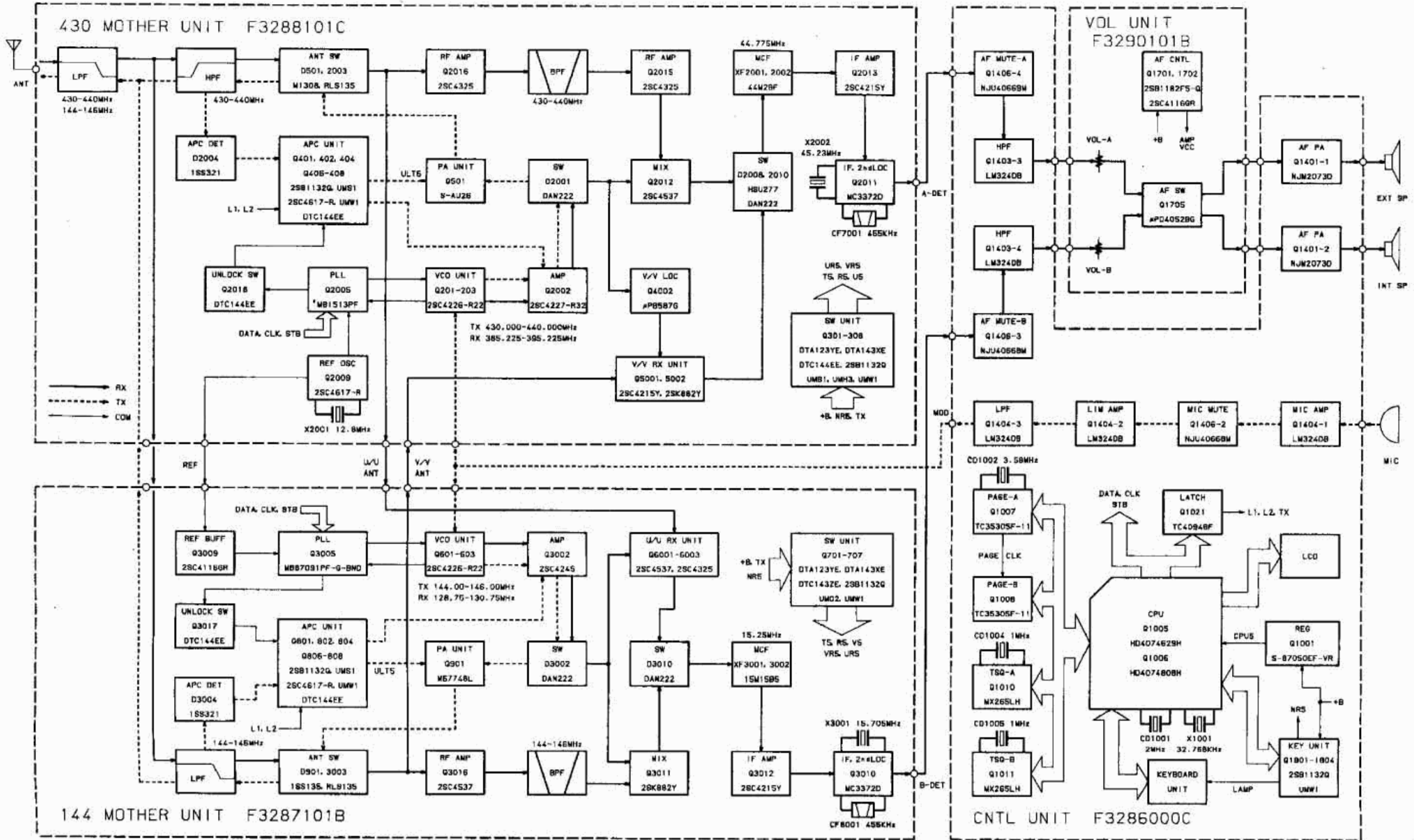
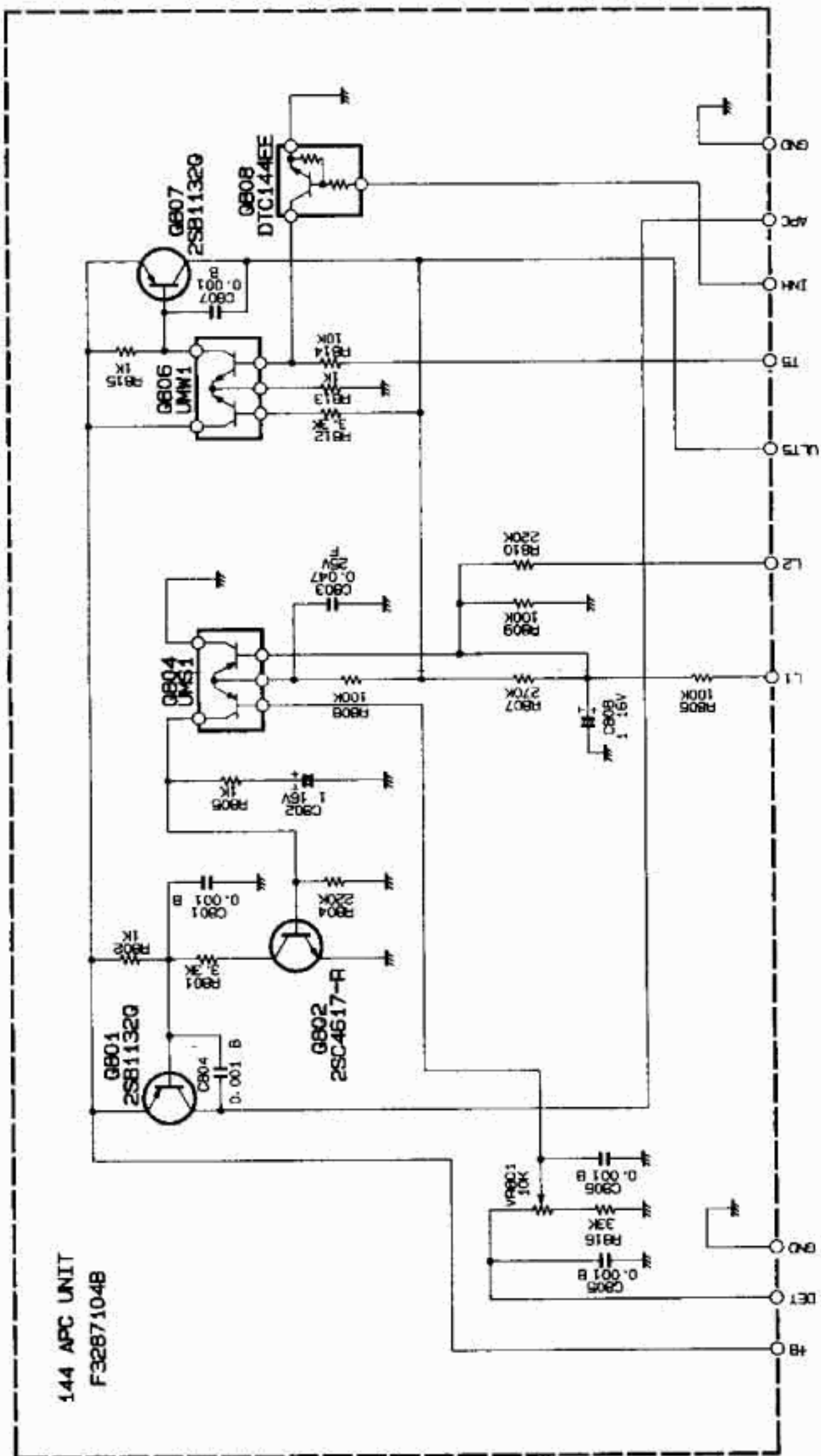
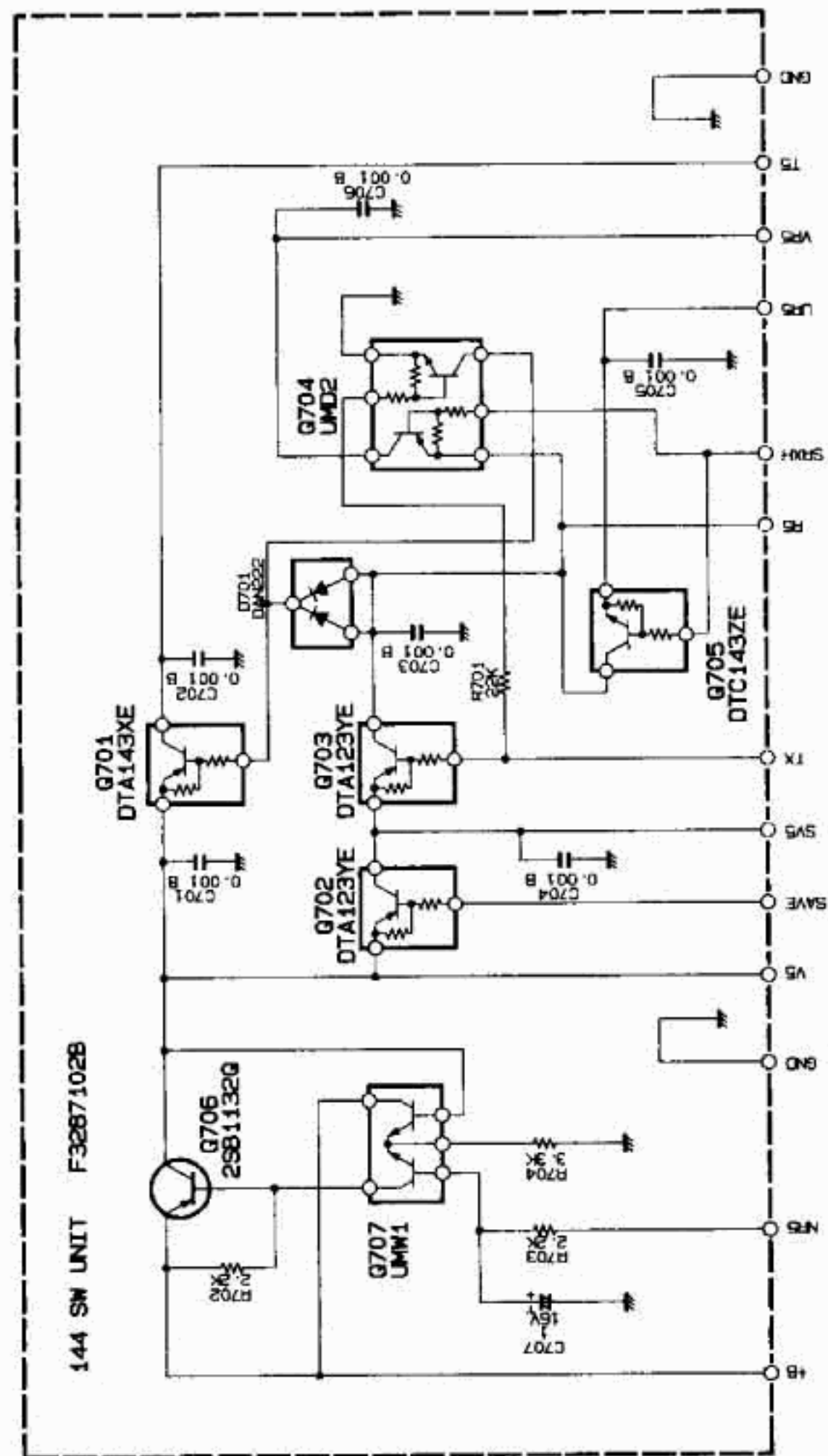
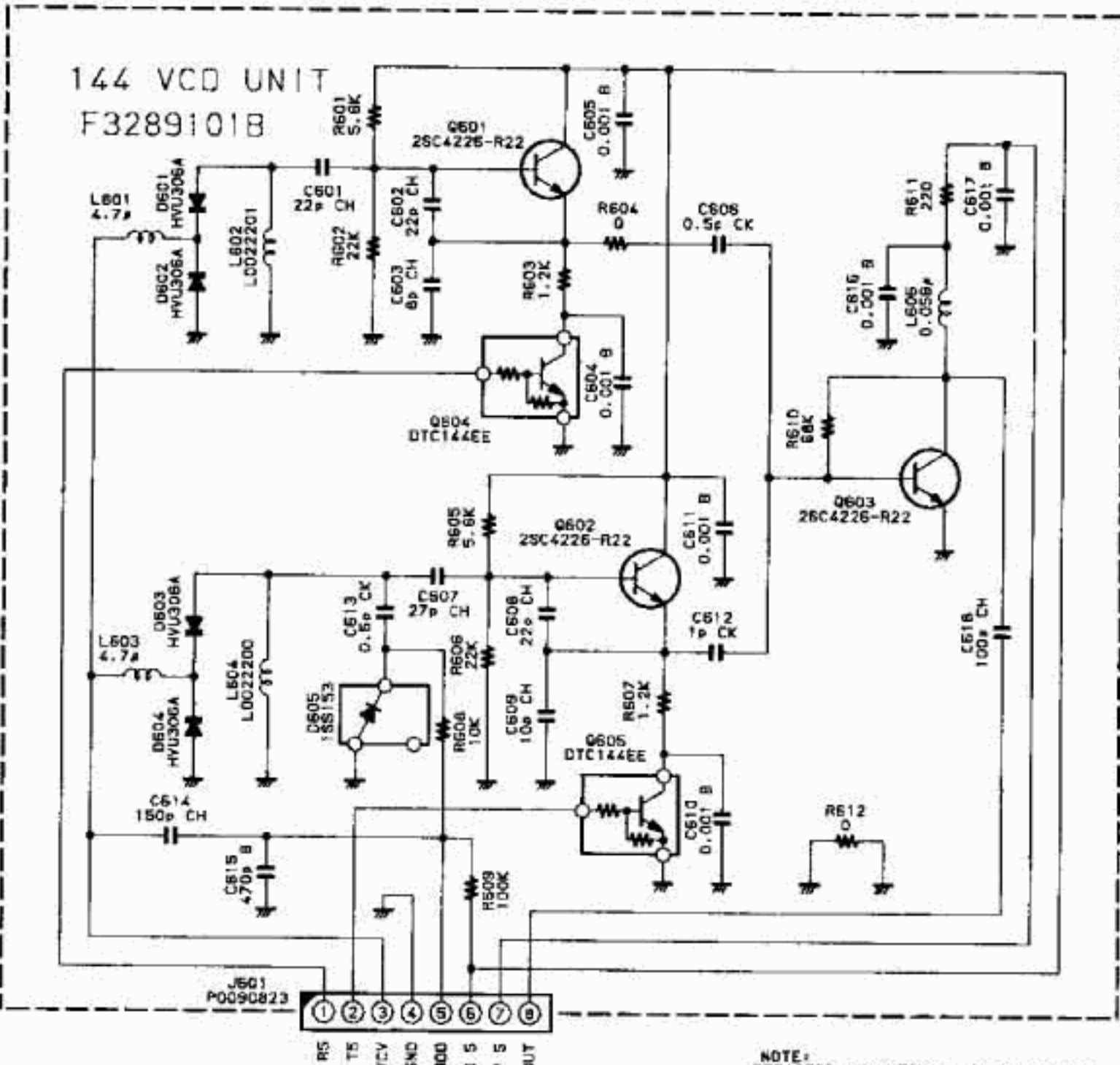


FT-530 Circuit Diagrams

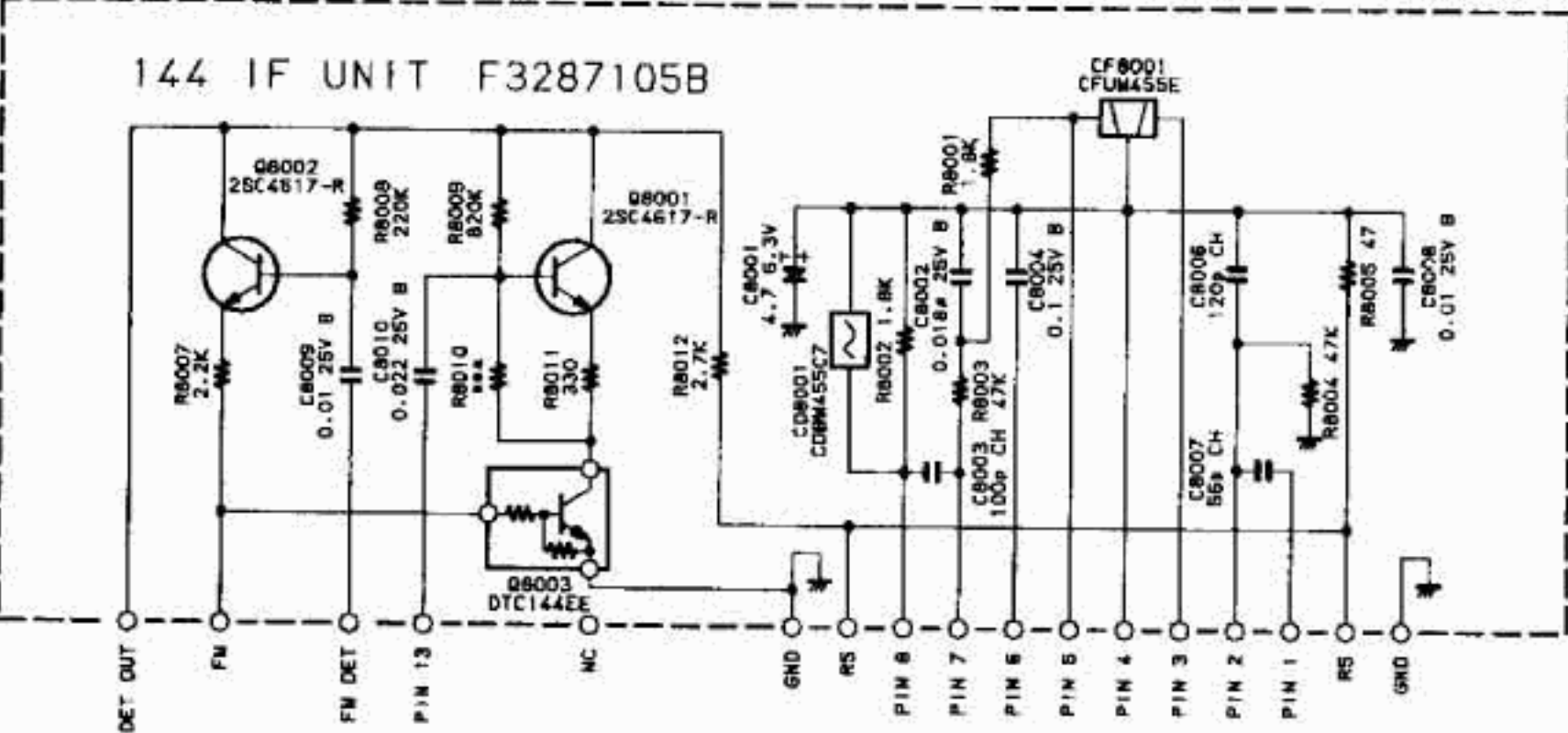
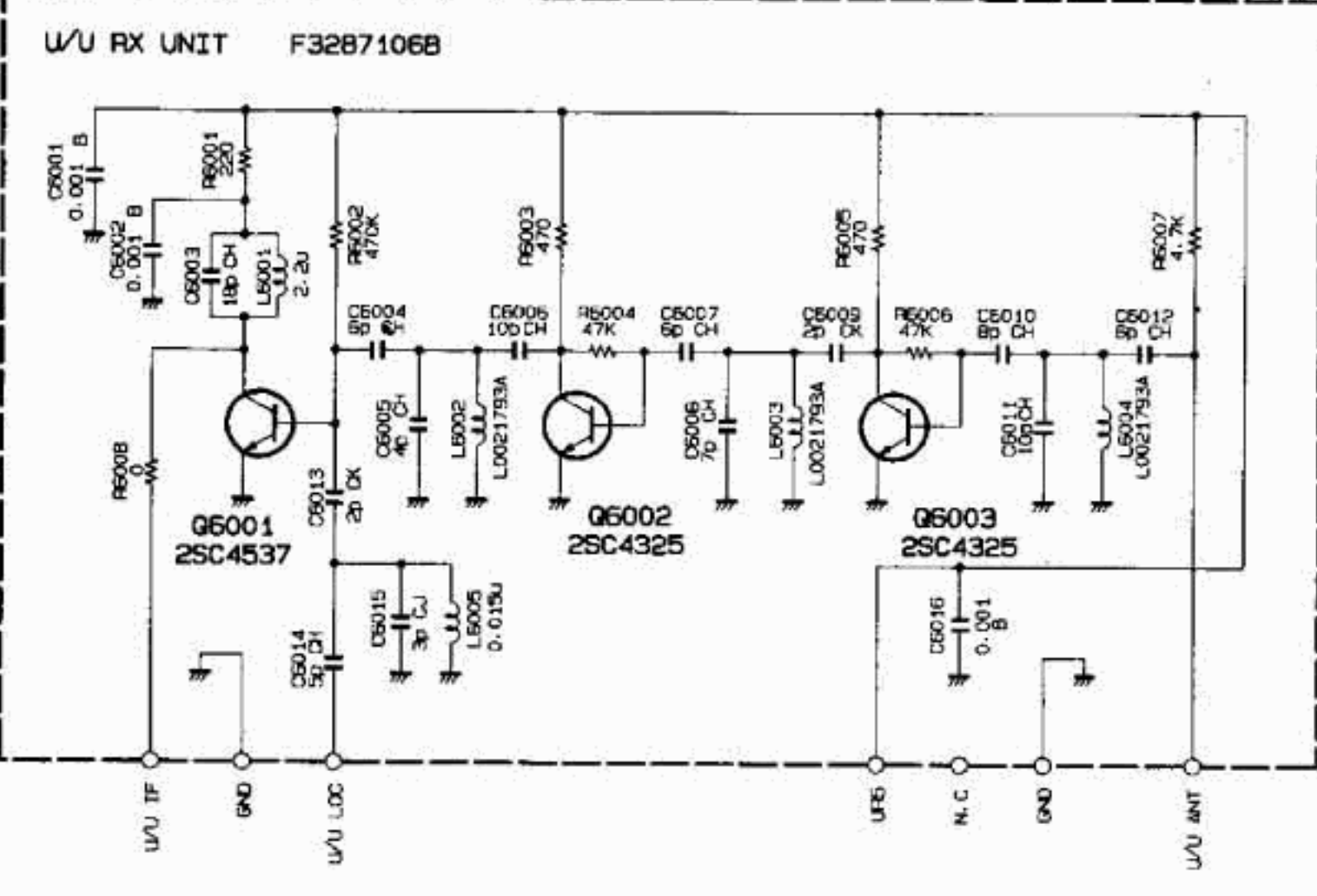
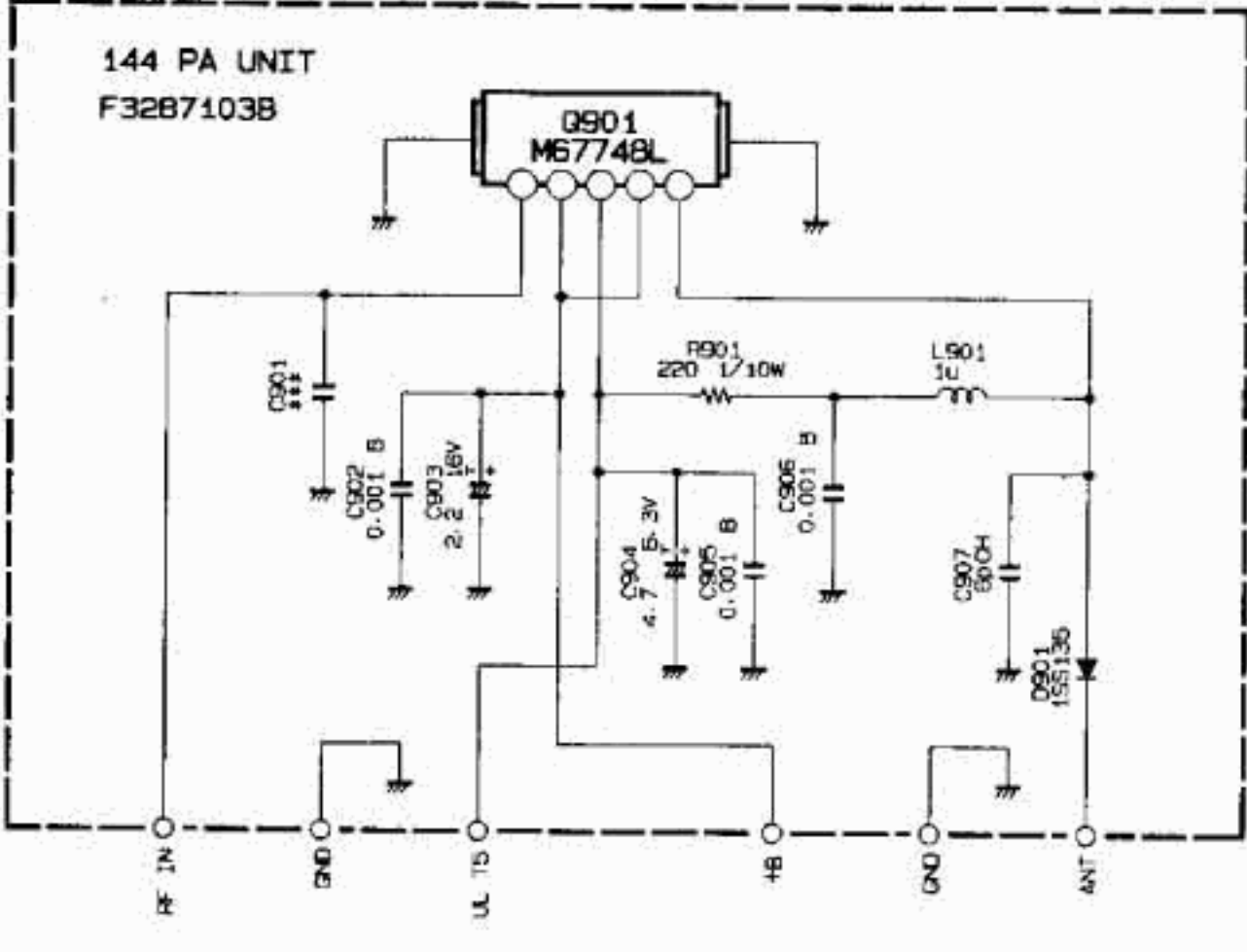


YAESU MUSEN CO., LTD.



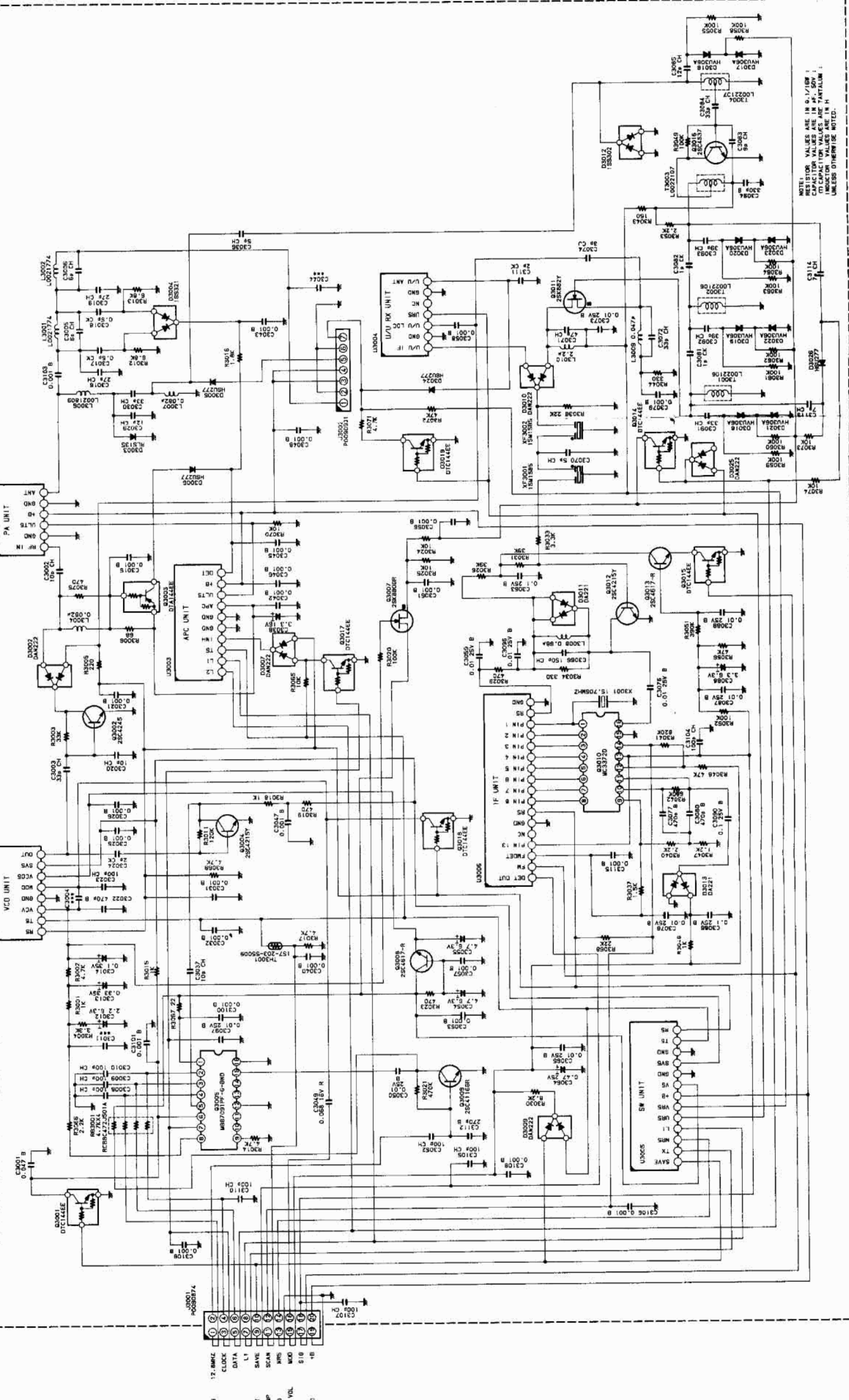


NOTE:
RESISTOR VALUES ARE IN Ω, 1/16W ;
CAPACITOR VALUES ARE IN μF, 50V ;
(T) CAPACITOR VALUES ARE TANTALUM ;
INDUCTOR VALUES ARE IN H
UNLESS OTHERWISE NOTED.



NOTE:
RESISTOR VALUES ARE IN Ω, 1/16W ;
CAPACITOR VALUES ARE IN μF, 50V ;
(T) CAPACITOR VALUES ARE TANTALUM ;
UNLESS OTHERWISE NOTED.

144 MOTHER UNIT F3287101B

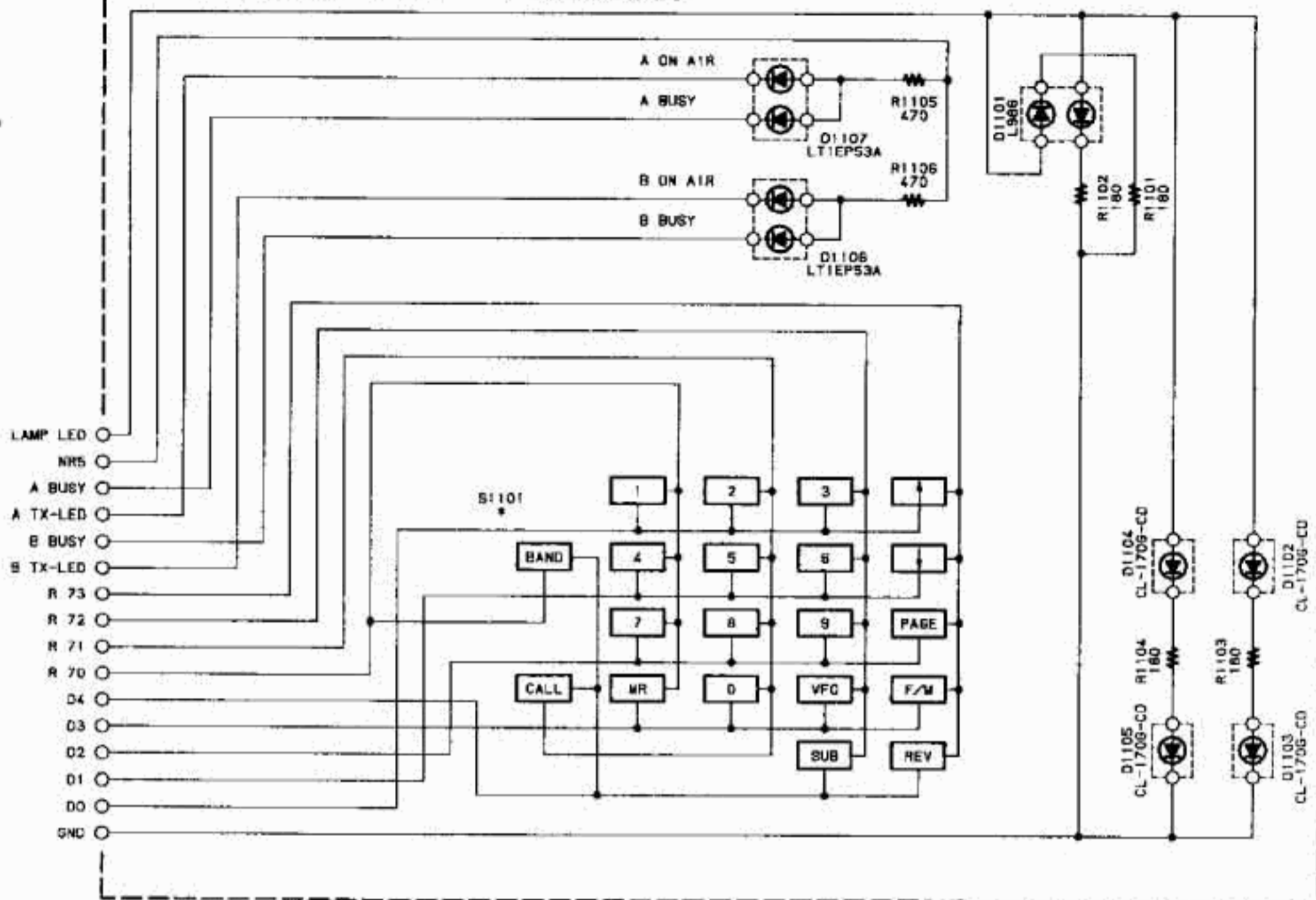


NOTE: RESISTOR VALUES ARE IN OHMS UNLESS OTHERWISE NOTED. CAPACITOR VALUES ARE IN P.F. UNLESS OTHERWISE NOTED.

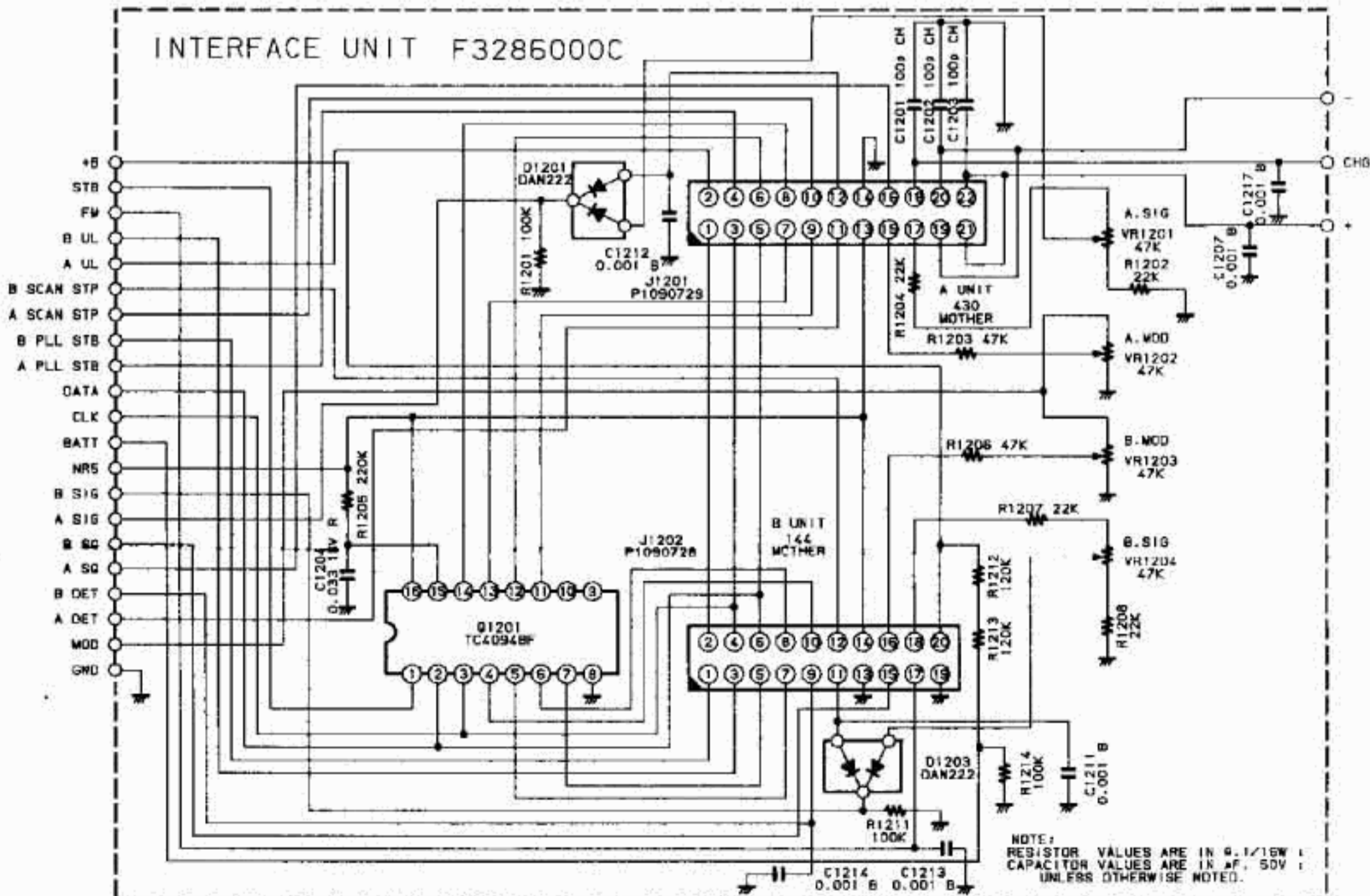
- STB
- UL
- L2
- TX
- DET
- TEMP
- SND
- SQ VOL
- FM
- GND

- 17. BARK
- CLOCK
- DATA
- LI
- SAVE
- SCAN
- MRS
- MCO
- S18
- 18

KEYBOARD UNIT F3286000C

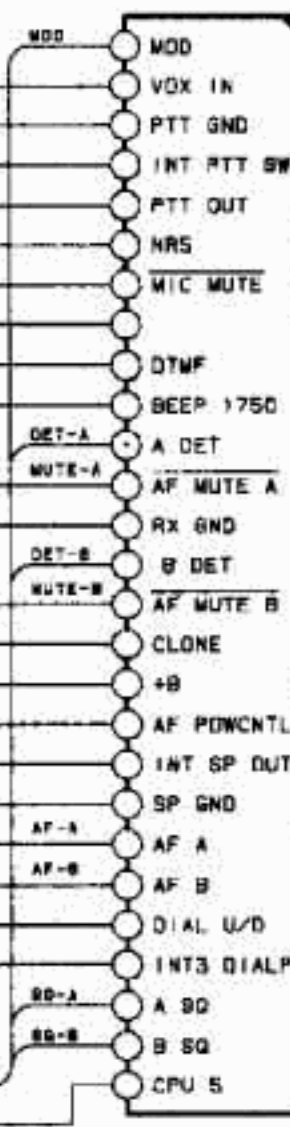


INTERFACE UNIT F3286000C

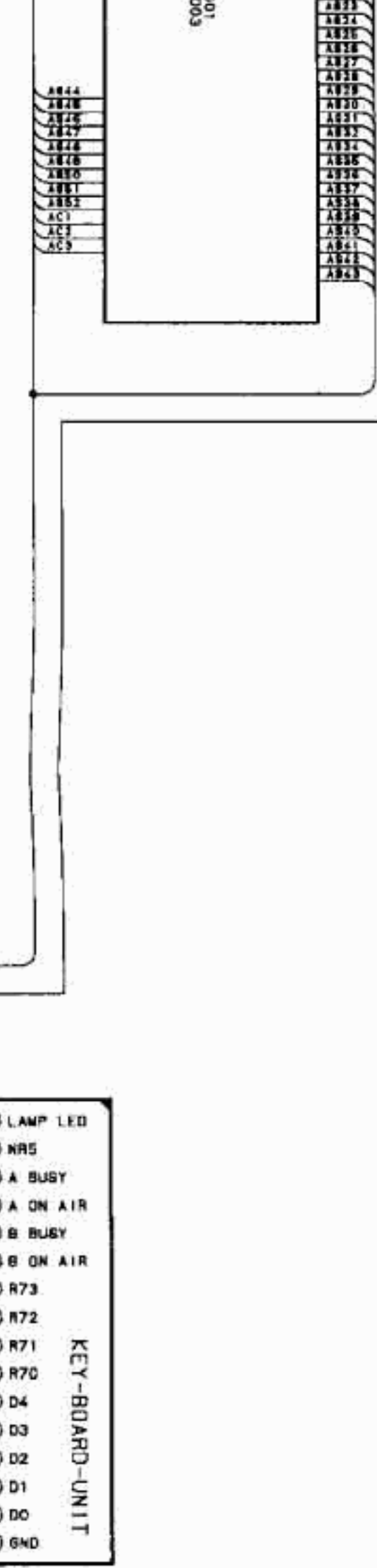


NOTES:
1. CAPACITOR VALUES ARE IN μ F, 1/16W.
2. CAPACITOR VALUES ARE IN μ F, 50V.
3. CAPACITOR VALUES ARE IN μ F, 50V.
UNLESS OTHERWISE NOTED.

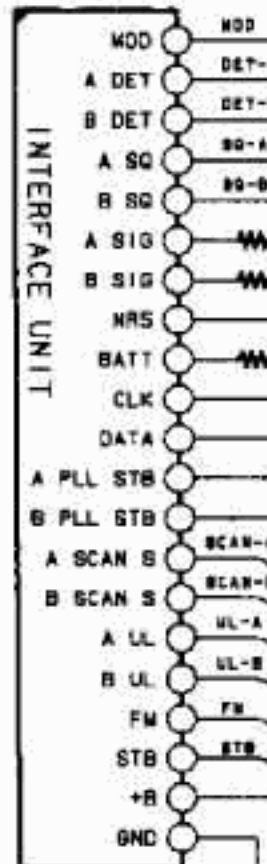
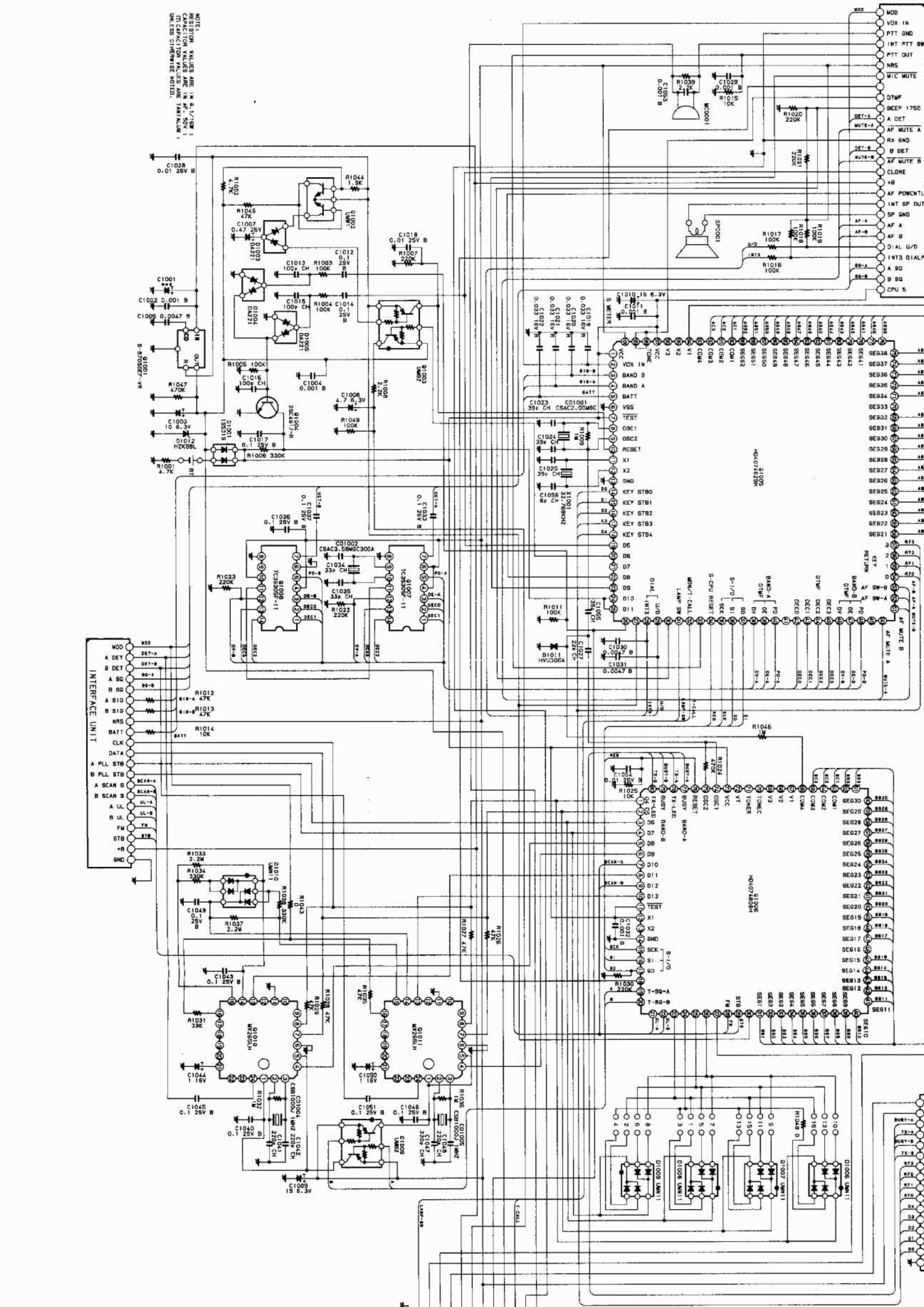
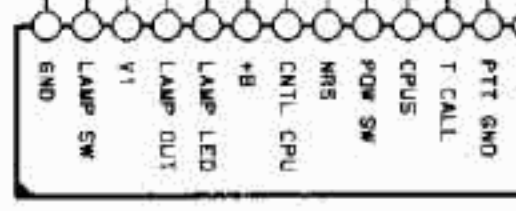
MIC-AMP-UNIT



KEY-BOARD-UNIT



KEY UNIT



NOTE:
RESISTOR VALUES ARE IN Ω , 1/16W ;
CAPACITOR VALUES ARE IN μ F, 50V ;
(T) CAPACITOR VALUES ARE TANTALUM ;
UNLESS OTHERWISE NOTED.

MIC AFAMP UNIT F3286000C

